

Model Shown:

PB102-1, PB102P-1



Pumps

Features

COMPACT, PORTABLE, CORDLESS HYDRAULIC PUMP FOR MRO APPLICATIONS.

- Compact, Li-ion 18VDC, 9.0 Ah battery-powered pump provides extended run-time.
- Two-stage, high-pressure hydraulic pump offers quick tool advancement in the first stage.
- Extremely compact, lightweight with an ergonomic handle grip and transport strap to ease portability.
- Self-contained, rubber bladder reservoir allows pump usage in most positions with an impressive capacity of 1,1 l usable.
- Quiet, smooth-running, serviceable brushed 18VDC motor.
- High-impact, fiberglass reinforced shroud protects your investment in the most demanding and harsh applications.
- Interchangeable valve configuration accommodate a vast array of applications.
- CSA rated for intermittent duty, CE compliant.

Ordering Information

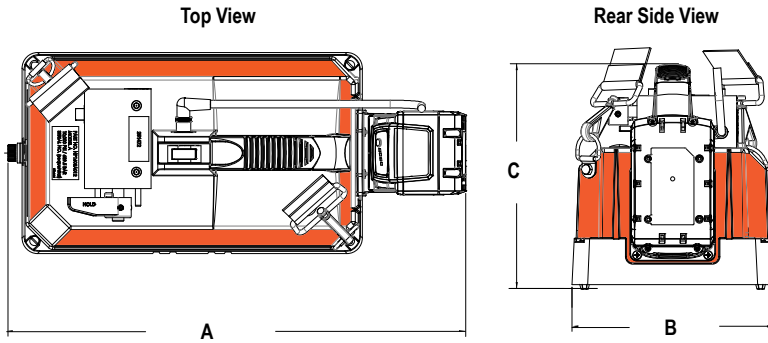
Order Number	Description	Refer to Note	Tool Type	Valve Type	Valve Function	Remote Control
PB102-0	18VDC, 1/4 HP Power Pump, S/A, 2-Way with Auto Dump	(1)	SA	2-Way/ Auto. Dump (9561)	Advance / Return (Auto)	Optional
PB102P-0	18VDC Power Pump, S/A, 2-Way with Auto Dump	(1)	SA	2-Way/ Auto. Dump (9561)	Advance / Return (Auto)	Hand Pendant with 3m cord included
PB102R-0	18VDC Power Pump, S/A, 2-Way with Auto Dump and Pressure Regulator	(1), (3)	SA	2-Way/ Auto. Dump / Pressure Regulator (9561, 9560)	Advance / Return (Auto) / Pressure Adjustment 70 -690 bar	Optional
PB102A-0	18VDC Power Pump, S/A, Auto Dump	(2)	SA	Auto. Dump (9562)	Advance / Return	Optional
PB104-0	18VDC Power Pump, D/A, 4-Way	(4)	DA	4-Way (9563)	Advance / Hold / Return	Optional
PB102-2	18VDC Power Pump, S/A, 2-Way with Auto Dump	(1)	SA	2-Way/ Auto. Dump (9561)	Advance / Return (Auto)	Optional
PB102P-2	18VDC Power Pump, S/A, 2-Way with Auto Dump	(1)	SA	2-Way/ Auto. Dump (9561)	Advance / Return (Auto)	Hand Pendant with 3m cord included
PB102R-2	18VDC Power Pump, S/A, 2-Way with Auto Dump and Pressure Regulator	(1), (3)	SA	2-Way/ Auto. Dump / Pressure Regulator (9561, 9560)	Advance / Return (Auto) / Pressure Adjustment 70 -690 bar	Optional
PB102A-2	18VDC Power Pump, S/A, Auto Dump	(2)	SA	Auto. Dump (9562)	Advance / Return	Optional
PB104-2	18VDC Power Pump, D/A, 4-Way	(4)	DA	4-Way (9563)	Advance / Hold / Return	Optional
PB102-3	18VDC, HP Power Pump, S/A, 2-Way with Auto Dump	(1)	SA	2-Way/ Auto. Dump (9561)	Advance / Return (Auto)	Optional
PB102P-3	18VDC Power Pump, S/A, 2-Way with Auto Dump	(1)	SA	2-Way/ Auto. Dump (9561)	Advance / Return (Auto)	Hand Pendant with 3m cord included
PB102R-3	18VDC Power Pump, S/A, 2-Way with Auto Dump and Pressure Regulator	(1), (3)	SA	2-Way/ Auto. Dump / Pressure Regulator (9561, 9560)	Advance / Return (Auto) / Pressure Adjustment 70 -690 bar	Optional
PB102A-3	18VDC Power Pump, S/A, Auto Dump	(2)	SA	Auto. Dump (9562)	Advance / Return	Optional
PB104-3	18VDC Power Pump, D/A, 4-Way	(4)	DA	4-Way (9563)	Advance / Hold / Return	Optional

(1) 2-Way Auto Dump Function: Flapper handle in "hold" position will allow the tool to advance and maintain pressure when the motor is shut off, flapper handle must be switched back to retract and dump pressure. Flapper handle is set to "return" position, power on will advance tool and power off will retract tool and dump pressure.

(2) Auto Dump Function: Power on - tool advances, and power off - tool returns, releasing pressure to tank.


SA = Single-Acting DA = Double-Acting

► **Technical Dimensions**




Optional Remotes

These remotes are equipped with connectors to enable the operator to "plug and play" the connection quickly. The wiring is configured to allow the operator to use the power switch on the pump or operate remotely once connected.



Hand Pendant
Order # 3000989



Foot Pendant
Order # 3000975

► **Hardware Included**



Turnkey, 690 bar hydraulic power pump powered by an 18VDC Li-ion battery, ships with hydraulic oil.





Transport shoulder strap with clips installed on shroud for quick fastening or removal.



One 18VDC Li-ion 9.0 Ah Battery, additional batteries can be purchased separately. Order #3000973



18VDC battery charger available in 230V for certain models, refer to the ordering information below. Order #2009647 EU, #2010141 UK

Flow @ Stages (cm ³)	Usable Oil Capacity (cm ³)	Battery Included	Charger (w/plug style)	Dimension (mm)			Weight (kg)	Order Number
				A	B	C		
1st Stage: 3.300 cm ³ /min. @ 14 bar 2nd Stage: 98 cm ³ /min. @ 690 bar	1150	(1) One 18VDC Li-ion 9.0 Ah included	No charger is included	438	192	215	10,9	PB102-0
						215	11,8	PB102P-0
						242	11,3	PB102R-0
						192	10,9	PB102A-0
						259	11,3	PB104-0
1st Stage: 3.300 cm ³ /min. @ 14 bar 2nd Stage: 98 cm ³ /min. @ 690 bar	1150	(1) One 18VDC Li-ion 9.0 Ah included	(1) One 230V M18 Charger Included, Europe only 	438	192	215	10,9	PB102-2
						215	11,8	PB102P-2
						242	11,3	PB102R-2
						192	10,9	PB102A-2
						259	11,3	PB104-2
1st Stage: 3.300 cm ³ /min. @ 14 bar 2nd Stage: 98 cm ³ /min. @ 690 bar	1150	(1) One 18VDC Li-ion 9.0 Ah included	(1) One 230V M18 Charger Included, United Kingdom only 	438	192	215	10,9	PB102-3
						215	11,8	PB102P-3
						242	11,3	PB102R-3
						192	10,9	PB102A-3
						259	11,3	PB104-3