

Model Shown:
PE604T, PE604PT

Pumps



▶ The PE60 used for pre-stressing application

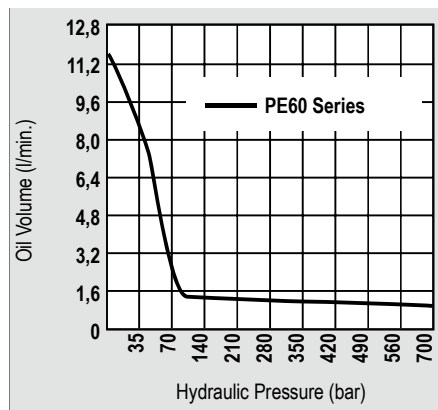


▶ Features

COMPACT, LIGHTWEIGHT PUMP. EXCELLENT CHOICE FOR RUGGED APPLICATIONS AND LOW VOLTAGE STARTING.

- Pump offers long, trouble-free life in the most demanding work environments.
- For operating single or double-acting cylinders, or stressing jacks.
- Powered by 0,84 kW, 220V, 50/60 Hz single-phase motor. Starts under load, even at reduced voltages at construction sites.
- Optional fan-driven external oil cooler includes rollover guard.
- Insulated carrying handle.
- Integral 102 mm. fluid-filled pressure gauge with steel bezel complies with ASME B40.1 Grade A.
- Sealed 4,34 l (usable) reservoir. Reservoir drain port is standard.
- Oil level sight gauge for accurate oil level monitoring.
- External spin-on filter removes contaminants from circulating oil to maximize pump, valve and cylinder/ tool life.
- CSA rated for intermittent duty.
- Non CE.

▶ Performance Specifications





Optional: Oil Cooler Kit

For Use With:	Kit Order No.	Voltage	Wt. (kg)
PE604T or PE604PT	252511	115V	2,3
	252512	220V	2,3



Hydraulic Fluids



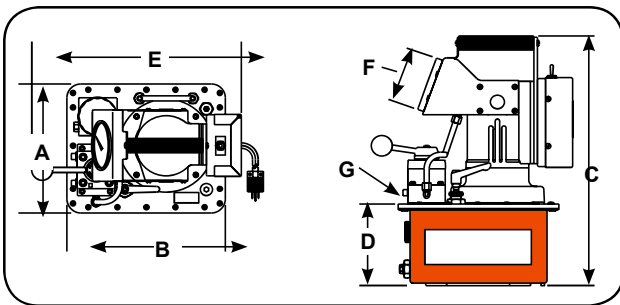
For dependable performance of all your hydraulic pumps and cylinders. Power Team specialty blended oils contains foam suppressant additives and has a high viscosity index. Refer to the Accessories section for complete details



Learn More - About Hydraulic Safety Insight



Looking for great safety suggestions? Visit our Resource Section to get a better understanding of hydraulic and mechanical safety insights on what to look for when working around hydraulics



► Technical Dimensions

Order No.	A	B	C	D	E	F	G	Max. Pressure Output (bar)	rpm	dBA at Idle and 700 (bar)	Amp Draw 220V at 700 (bar)	Oil Del. (l/min. @)				Prod. Wt. with Oil (kg)
	(mm)	(mm)	(mm)	(mm)	(mm)	(mm)	(mm)					0 (bar)	50 (bar)	350 (bar)	700 (bar)	
PE604T	263,5	301,6	457,2	152,4	381	101,6	3/8 NPTF	700	10.000	80/85*	13	11,3	7,1	1,2	0,9	27,2
PE604PT	263,5	301,6	457,2	152,4	381	101,6	3/8 NPTF	700	12.000	80/85*	13	11,3	7,1	1,2	0,9	27,2

NOTE: Unloading pressure is 70 bar.

► Ordering Information

For Use With Cylinder Type	Description	Order No.	Valve Type	Valve No.	Valve Function	Control Switch	Motor	Reservoir Usable Oil Cap. (l)
Single-Acting, Spring Seat, Stressing Jack or Double-Acting	0,84 kW pump with 3,73 liter reservoir & valve for double-acting systems.	PE604T	4-Way/ 3 Position	9500	Advance Hold Return	On/Off Pulse	0,84 kW, 220 V 50 Hz, Single Phase	4,34
Single-Acting or Double-Acting Power Seat, Stressing Jacks Only	PE604T, except has special valve for post tensioning application only.	PE604PT	4-Way/ 3 Position	9628 Model C	Advance Hold Sequenced Return	On/Off Pulse	0,84 kW, 220 V 50 Hz, Single Phase	4,34

NOTE: Contact Factory for PE60 pump models with other control and valve options.

NOTE: For 220/230V, 50/60 Hz, single-phase models, add -220 suffix.