

Model Shown:
PE-NUT

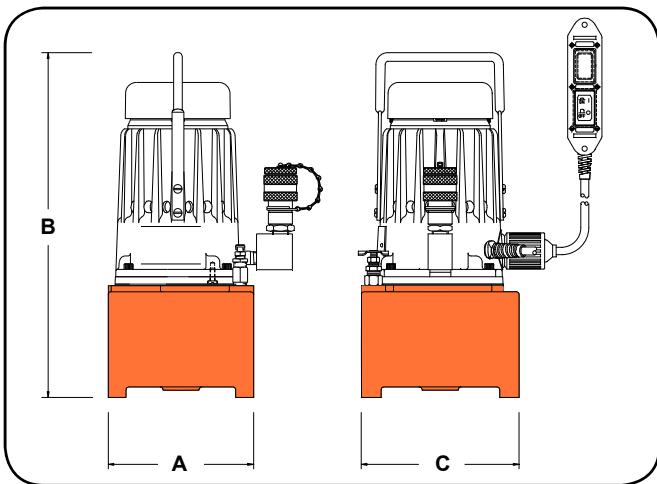
Pumps



Features

EXTREMELY DURABLE YET LIGHTWEIGHT AND OPERATE UNDER LOW-LINE VOLTAGE CONDITIONS.

- 0,46 kW universal electric motor (50 Hz cycle), intermittent duty pump.
- Two-stage pump for rapid ram advance.
- Operational under low-line voltage conditions.
- Designed for use with spring-returned remote tools.
- High-pressure safety relief valve.
- Remote hand control with 3,1 m cord.
- Carrying handle.
- Factory filled oil reservoir.
- Pressure matched quick-coupler supplied.
- Piston-type high-pressure pump supercharged by a low-pressure pump.
- Optional operating pressures available (consult Power Team factory for details).
- Optional carrying case.
- Non CE.



CAUTION

DESIGNED FOR CRIMPING APPLICATIONS ONLY!
This system should not be used for lifting.



Electrical Data

Electric Motor	Electric Control
0,46 kW, 10,000 rpm 115V, 50 Hz 11 amp current draw (115V @ 700 bar)	Remote control with 3,1 m cord

Ordering Information

Order No.	Overall Dimensions			Oil Delivery		Reservoir		Prod. Wt. With Oil (kg)
	A	B	C	7 (bar)	700 (bar)	Oil Cap.	Usable Oil Cap.	
	Width (mm)	Length (mm)	Depth (mm)	(l/min.)	(l/min.)	(l)	(l)	
PE-NUT	165	365	210	2,62	0,49	6	2,8	12,6
PE-NUTC*	165	365	210	2,62	0,49	6	2,8	12,6

* Includes Case